



RA SERIES

RETRACTABLE CAPTURE ARM



Retractable\Telescopic Extraction Arm Diversitech's RA SERIES Telescopic Arm is designed to extract welding fumes and dust from confined work space environments. The arm is internally articulated with an extendable support structure, a flanged suction hood with a handle along with a rotating swivel base. The telescopic arm features an internal tubular structure allowing the arm to easily extend and retract. The self-supporting arm provides operators with a durable and flexible solution for many industrial applications.

Typical limited space applications involve welding school booths, small workstations and other processes where a small retractable extraction arm provides the necessary flexibility. Telescopic arms can be paired with wall mounted fume extractors including the FRED Eco series, or bolted directly onto Diversitech's BR Blowers. The telescopic arms allow for capture at source extraction, helping you stay OSHA compliant and ensuring that your working environment is safe and secure for students and operators.

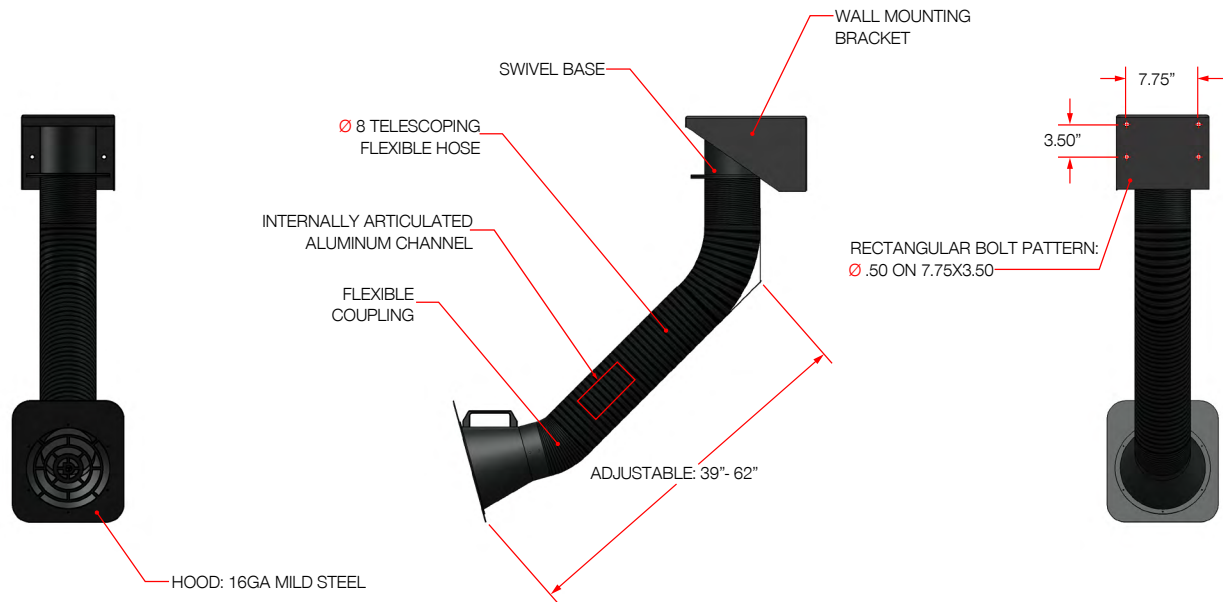
Features:

- Flexible 39 in. to 62 in. Internally Articulated Telescopic Arm with a Suction Hood
- Rugged steel construction
- Wall or post mountable

Benefits:

- Capture-at-source for Cleaner Air
- Complies with OSHA guidelines for controlling weld fumes
- Retractable Compact Footprint





Dimensions **

Model	Arm Length (ft.)	Arm Diameter (in.)	Net Weight (lbs.)	Product Dimensions (in.)		
				Width	Height	Length
RA Series Retractable\Telescopic Extraction Arm						
RA-6H063	3.5 to 5.2	6	50	12	13.5	56

** Product dimensions are based on base-models and may vary depending on selected product features. Please contact us for an accurate shipping quote.

Vocational & Educational Solutions



HEAD OFFICE

1200 55th Avenue
Montreal, QC H8T 3J8

DISTRIBUTION CENTERS

CANADA Montreal, QC Toronto, ON
UNITED STATES Trenton, NJ Chicago, IL Reno, NV

CONTACT US

Toll Free: 1-800-361-3733
info@diversitech.ca