



FRED CARBO

PORTABLE VOC FUME EXTRACTOR



With 10' capture arm
650 CFM



Volatile Organic Compounds (VOCs) fumes and odors present a serious workplace hazard that need to be captured and filtered with a portable fume extractor. The Fred Carbo is designed to extract VOC fumes and odors and prevent them from entering an operator's breathing zone.

The FRED Carbo's high porosity activated carbon granules are specially designed to adsorb most industrial VOC fumes. The carbon cartridge is reversible allowing you to utilize 100% of the available media to remove airborne fumes and is available in five standard weight configurations.

The extractor arm's pantograph style articulation ensures ultra-smooth repositioning and protects the arm's components from wear and tear. The high performance blower develops a powerful face velocity to ensure fumes are eliminated from the workspace.

Features:

- Flexible 10' externally articulated capture arm
- 1.0 HP TEFC motor producing 650 CFM at the hood
- Refillable and reversible carbon canisters
- 15" power cord & casters

Benefits:

- Compact, portable, 120 volt, single phase
- Capture-at-source for cleaner air
- Complies with OSHA guidelines for controlling VOCs





Carbon Filter

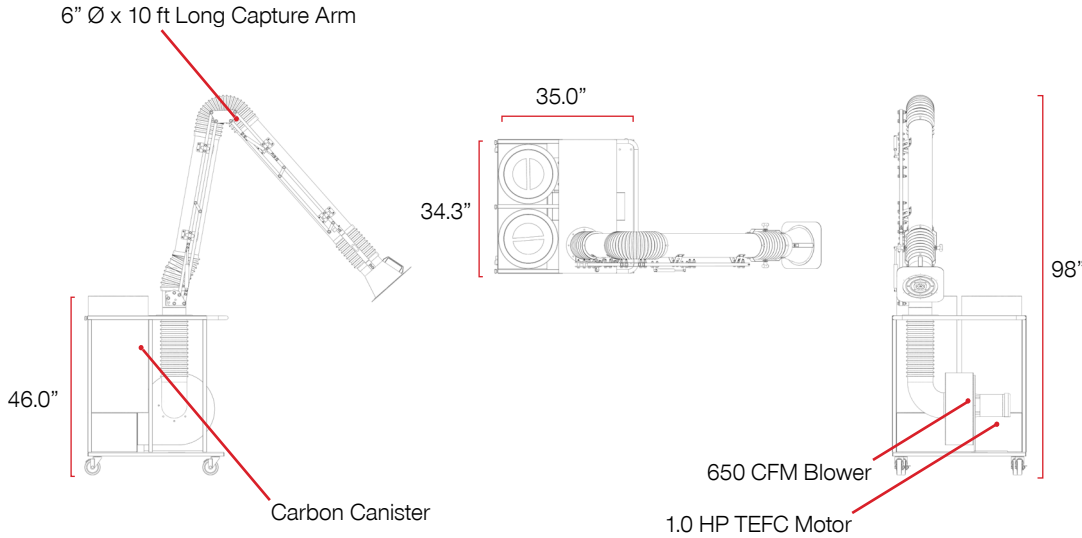
CARBOTECH 75

Reusable steel canister filled with 75 lbs of activated carbon to filter VOC fumes and odors. Double the filter life by flipping the canister top-to-bottom, allowing for adequate contaminant distribution through the media.



S-CCX-75R

WEIGHT: 75 LBS
 FILTER MEDIA: ACTIVATED CARBON
 PREFILTER MEDIA THICKNESS: 0.79"
 COVER: 3/4" ANTIBACTERIAL
 END CAP: TWIST LOCK REMOVABLE
 CLEANING METHOD: NONE
 MAX TEMP: 175° F / 80° C



Dimensions **

Model	Arm Length (ft.)	Arm Diameter (in.)	Product Dimensions (in.)		
			Width [a]	Height [C]	Length [b]
FRED CARBO VOC Extractor with externally articulated manual capture arm					
FRED CARBO	10	6	34.3	98	35
	13	6	34.3	98	35

** Product dimensions are based on base-models and may vary depending on selected product features. Please contact us for an accurate shipping quote.

Technical Specifications

Model	Motor (H.P.)	Power		Airflow (CFM)	Carbon Capacity (lbs.)
		Phase (hz)	@120V (amps)		
FRED CARBO VOC Extractor with externally articulated manual capture arm					
FRED CARBO	1.0	1P/60Hz	16	650	150

HEAD OFFICE

1200 55th Avenue
Montreal, QC H8T 3J8

DISTRIBUTION CENTERS

CANADA Montreal, QC Toronto, ON
UNITED STATES Trenton, NJ Chicago, IL Reno, NV

CONTACT US

Toll Free: 1-800-361-3733
info@diversitech.ca