



**DIVERSITECH**  
*Air Pollution Solutions*

Operation & Maintenance Manual

# TELESCOPIC ARM



READ AND SAVE THESE INSTRUCTIONS

Visit our Website for more information on this product

**[www.diversitech.ca](http://www.diversitech.ca)**

1200 55<sup>th</sup> Avenue, Montreal, Quebec H8T 3J8  
Tel: 1.800.361.3733 | Fax: 1.514.631.9480 | [info@diversitech.ca](mailto:info@diversitech.ca)

# Table of Contents

SECTION 1 – SAFETY PRECAUTIONS OF FUME & DUST EXTRACTION/COLLECTION .....	3
1.1 Symbols .....	3
1.2 User Responsibility .....	3
1.3 Fume Extraction Hazards .....	3
1.4 Dust Collection Hazards .....	4
1.5 Safety Stickers .....	4
SECTION 2 – SPECIFICATIONS .....	4
2.1 Dimensions & Specifications.....	4
SECTION 3 – PRE - INSTALLATION .....	5
3.1 To Setup or Install Safely .....	5
3.2 Un-Packaging .....	5
3.3 Tools Required .....	5
3.4 Assembly .....	5
3.5 Mounting Options .....	5
SECTION 4 – OPERATION .....	6
4.1 To Operate Safely .....	6
4.2 Controls .....	6
4.3 Pre-Use Checklist .....	6
4.4 Principles of Operation .....	6
SECTION 5 – MAINTENANCE & TROUBLESHOOTING .....	7
5.1 To Maintain this Product Safely .....	7
5.2 Tools Required .....	7
5.3 Routine Maintenance Schedule .....	7
5.4 Troubleshooting Procedure .....	8
APPENDIX 1 – MAINTENANCE RECORD .....	9
APPENDIX 2 – ARM TO REMOTE MOUNT BRACKET INSTALLATION.....	10
APPENDIX 3 – SAMPLE SAFETY STICKERS .....	12
NOTES.....	13,14,15
Limited Equipment Warranty .....	Back Cover
Freight Claims .....	Back Cover
Return Material Policy .....	Back Cover

## SECTION 1 - SAFETY PRECAUTIONS OF FUME & DUST EXTRACTION/COLLECTION



READ  
BEFORE  
USE

This manual contains specific cautionary statements related to worker safety. To protect yourself and others, read this manual thoroughly and follow as directed before use. Not all hazards of fume & dust control are listed in this manual, and no hazards related to welding, cutting, grinding, painting, deburring or other applications are listed. Consult a qualified safety professional.



DO  
NOT  
USE

Do not use this equipment:

- To extract smoked or fumes above 180°F/82°C.
- To extract combustibles dust, liquid vapors, or aggressive fumes such as acids.
- To extract oil mist, paint mist, cement, saw dust, wood dust.

### 1.1 Symbols

This manual uses several symbols to highlight specific hazards. Be familiar with these symbols and when you see them in this manual, read adjoining warning text to avoid the hazard.



WARNING!  
DANGER!



MOVING  
PARTS



HOT  
PARTS

### 1.2 Users Responsibility

- Improper use can be hazardous. Arms weights 35-50 lbs, care should be taken when transporting.
- All users must carefully read and understand this instruction manual prior to use
- No objects, such as tools, should be placed on or hung from the fume extractor arm.
- When walking near the machine, during use, or performing maintenance, users should be cautious of hitting head on the capture arm and hood.
- When folding and unfolding the capture arm, the user should be cautious of the pinch points in the pantograph frame. All movements should be performed by holding the hood handle and gently moving into position.
- For maintenance of any and all components, power switch must be off and the power source disconnected
- It is your responsibility to follow all applicable ANSI, OSHA, UL, CSA, National & Local Fire Codes, and other regulatory guidelines covering the safe use of equipment that extracts fumes, collects dusts, and exhausts filtered air either indoors or outdoors.
- Before use, inspect the unit for damage and verify it is working properly.
- Only qualified persons should install, operate, maintain, or repair this unit.
- Do not modify or repair the unit with parts or accessories not supplied by the manufacturer.

### 1.3 Fume Extraction Hazards

- Breathing smoke, fumes, or dusts produced in applications such as welding, cutting, grinding, painting, deburring are hazardous to user's health. Proper ventilation or use of well maintained fume extraction and/or dust collection equipment helps the user avoid these hazards.
- Breathable contaminants may not be visible or have an odor.
- Stop operation and leave the area immediately if 1) breathing becomes difficult, 2) experience dizziness, impaired vision, 4) or eye/nose/mouth irritation.

## 1.4 Dust Collection Hazards

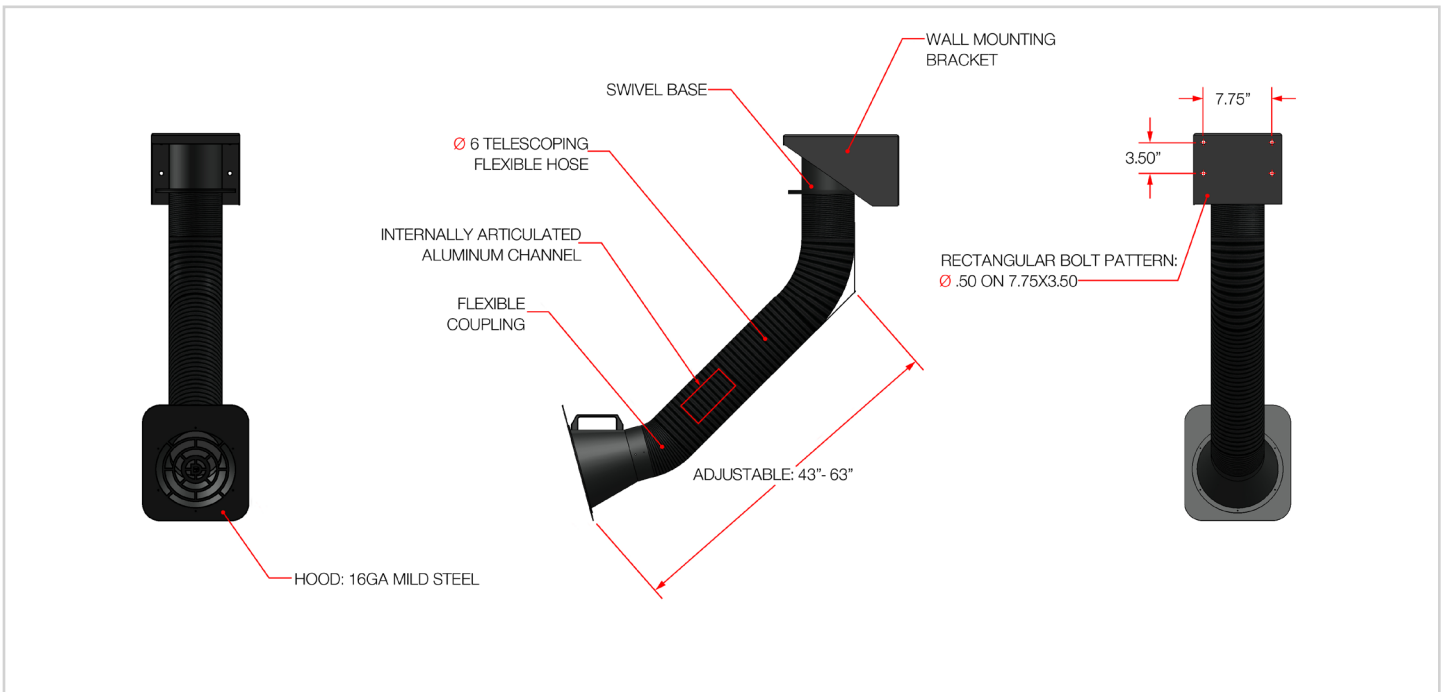
- Dusts from many metalwork, welding, cutting, grinding, painting, or deburring applications can be combustible.
- Do not use or install equipment where any potential for combustible fumes or dusts are present, until a qualified person has indicated it is safe to do so.
- Never use or install equipment where the potential for combustible fumes or dusts are present without a fire/explosion protection system.
- If you are unsure if the product you purchased is correct for your application, call Diversitech at 1-800-361-3733.

## 1.5 Safety Stickers

- This machine is equipped with safety stickers to remind operators of the inherent dangers during use and maintenance.
- The stickers are only reminders, and all safety precautions contained in this manual must be well understood and adhered to by all users.
- See **APPENDIX 3: Sample Safety Stickers** for example of stickers applied to machine.

# SECTION 2 - SPECIFICATIONS

## 2.1 Dimensions & Specifications



Model	Arm Length (ft.)	Arm Diameter (in.)	Net Weight (lbs.)	Product Dimensions (in.)		
				Width	Height	Length
<b>RA-Series Retractable Telescopic Extraction Arm</b>						
RA-6H063	3.5 to 5.2	6	50	12	13.5	56

## SECTION 3 - PRE-INSTALLATION

### 3.1 To Setup or Install Safely



- Do not place unit near flammables or combustible surface.

### 3.2 Un-Packaging

1. Immediately upon receiving the unit, carefully examine the carton for damage during transit.
2. Remove packing material.
3. Avoid tipping or inverting during handling.
4. The item serial number, model, and electrical ratings are listed on the nameplate. Record this information in the Maintenance Record provided in **APPENDIX 1: Maintenance Record**, or your own preventative maintenance system.

### 3.3 Tools Required

1. 7/16 Socket or Wrench
2. 9/16 Socket or Wrench
3. Torque Wrench

The tools above are required for unit assembly.

### 3.4 Assembly

- Please follow guidelines in **APPENDIX 2: Arm to Remote Mount Bracket Installation**.

### 3.5 Mounting Options

- For downwards mounting please follow guidelines in **APPENDIX 2.2 Wall mount bracket standard assembly**.

## SECTION 4 - OPERATION

### 4.1 To Operate Safely



- Read and understand **SECTION 1: Safety Precautions** and **SECTION 4: Operation** before use
- Read and understand all Material Safety Data Sheets and Manufacturer's instructions of all process materials, consumables, and equipment used in conjunction with this equipment.
- Keep away from all mechanical moving parts including motor, gears, and other pinch points.
- Do not use product without first confirming if a Spark Arrestor is required and installed for the type of dust, or fumes you are extracting and/or collection. If you are unsure, call a Diversitech representative at 1-800-361-3733.
- The environment temperature for the operating of the machine is between 5° C and 45° C.
- The humidity of the interior in which the work is carried out must be between 0% and 90%.
- THE APPLIANCE CAN NOT BE USED IN EXPLOSIVE ENVIRONMENT.

### 4.3 Pre-Use Checklist

- Read and understand **SECTION 1: Safety Precautions** and ensure **SECTION 3: Pre-Installation** has been followed.
- Visually inspect the hoses for damage.
- Ensure Capture Arm can move smoothly and does not contact other nearby machines.
- Inform all potential users of this equipment where they may find and review this manual.

### 4.4 Principles of Operation

This product is designed to capture and clean smoke and dust from medium & heavy duty welding, soldering, and grinding applications. When operating, air is drawn in to the nozzle, passes through the 8" diameter hose, into the connected blower.

- The operator can then position the capture arm close enough to the source to capture all dust and fumes being produced.
- Ensuring that all safety procedures have been followed, the operator can turn on the blower and begin working.

## SECTION 5 - MAINTENANCE & TROUBLESHOOTING

### 5.1 To Maintain this Product Safely



- Read and understand SECTION 1: Safety Precautions and SECTION 4: Operation before maintenance.
- Do not breathe the dust collected from product while performing maintenance on this product.



- Keep away from all mechanical moving parts including motor, gears, and other pinch points while operating.



- Operating this unit causes some parts to heat to a point that will burn bare hands. Before maintenance allow parts to cool, or use proper tools and personal protection equipment during maintenance.
- Suction machine must be turned off when performing any maintenance.

### 5.2 Tools Required



EYE  
PROTECTION



RESPIRATOR



GLOVES



WASTE  
CONTAINER

### 5.3 Routine Maintenance Schedule

The manufacturer recommends the following routine maintenance based on light-duty use in normal operating conditions. Service more frequently if the unit is used in severe conditions.

Frequency	Manual Reference
<b>Pre-Use</b>	
<ul style="list-style-type: none"> <li>• Perform pre-use inspection to ensure operating correctly.</li> </ul>	4.3
<b>Every (12) months Inspect Basic Components</b>	
1. Clean unreadable labels and exterior surfaces	
2. Check for tears in flex hoses and fitting of hose clamp	

## 5.4 Troubleshooting Procedure

Given that most of the malfunctions occur for improper use of the system, the table below shows the some possible malfunctions that may occur, and the measures to be taken to address them.

Problem	Possible Cause	Solution
The suction arm is not able to support itself, to the point of compromising the handling and positioning of the hood.	Loose bolts	Tighten the bolts gradually, be careful not overtighten.
The pipes break in the proximity of the junction	The bolts of the clutches are tightened too much, to the point of overcoming the resistance of the junctions.	Loosen the bolts of the clutches, and replace the pipes: <ul style="list-style-type: none"> <li>• forearm tube of connection hood (the replacement can be done by the customer)</li> <li>• the part of the pipe where is the spring (must be replaced by the manufacturer for safety reasons)</li> </ul>
Broken hose clamps.	Wear, abrasion, drilling etc.. caused by incandescent material extracted by the arm.	Remove and replace the hose clamps.
The fan's suction arm stops suddenly	Block of electric current.	Reactivate the power source of the current.
	The fuse has blown.	Relace the fuse.
	The thermal switch has tripped.	Open the control panel and reset the switch. Check out the reasons of the thermal cutoff.
	The engine has blown.	Repair or replace if it is possible. Read the concerning manual.



## APPENDIX 1 - MAINTENANCE RECORD

Diversitech Inc. authorizes this page to be photocopied or otherwise reproduced as needed for management of maintenance records.

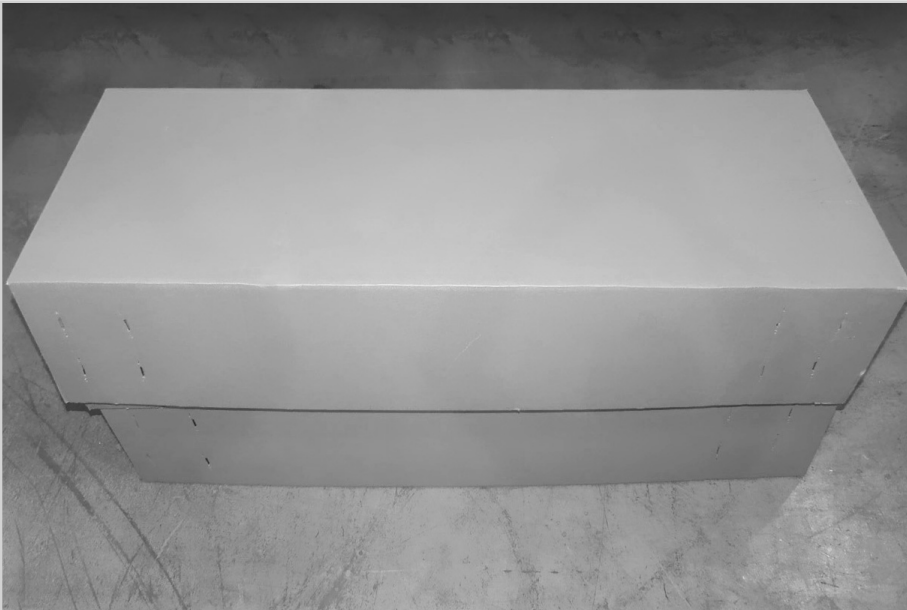
MANUFACTURER: DIVERSITECH INC.	MODEL N°	TELESCOPIC EXTRACTION ARM	SERIAL N°	
SERVICE LOCATION:			CONTROL N°	

Date	Description of Service	Serviced By	Location	Comments

Only use manufacturer approved replacement parts on this unit.

## APPENDIX 2 - ARM TO REMOTE MOUNT BRACKET INSTALLATION

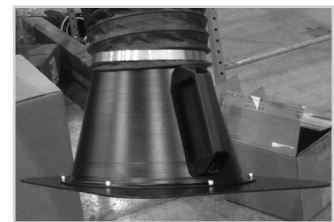
### 2.1 Unpack capture arm, hood, and base



**STEP 1.** Unpack capture arm, hood, and base.

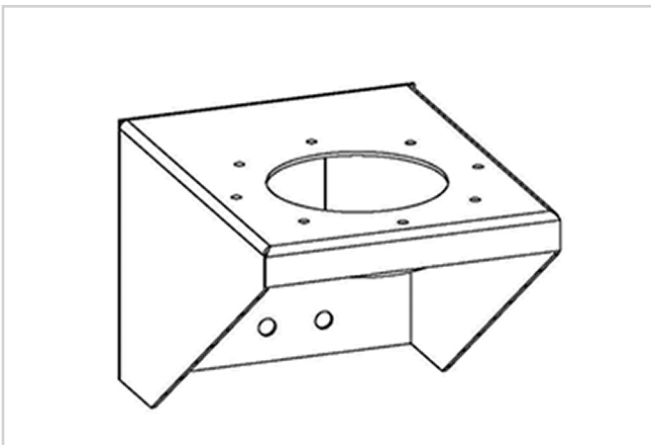


**Swivel Base**



**Vent Hood**

### 2.2 Wall mount bracket standard assembly

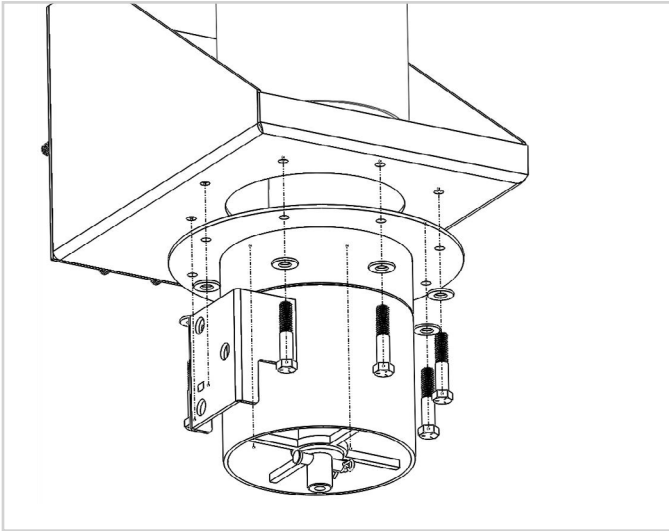


**STEP 2.** Description of the bracket assembly.

- Mount Swivel Base to Remote Mount Bracket.
- Tighten all Bolts (8) with Washers (8)
- Torque each bolt to 23 N m

Quantity	Hardware
1	Bracket
8	Press-in Nut for Sheet Metal, 1/4"-20 Thread Size

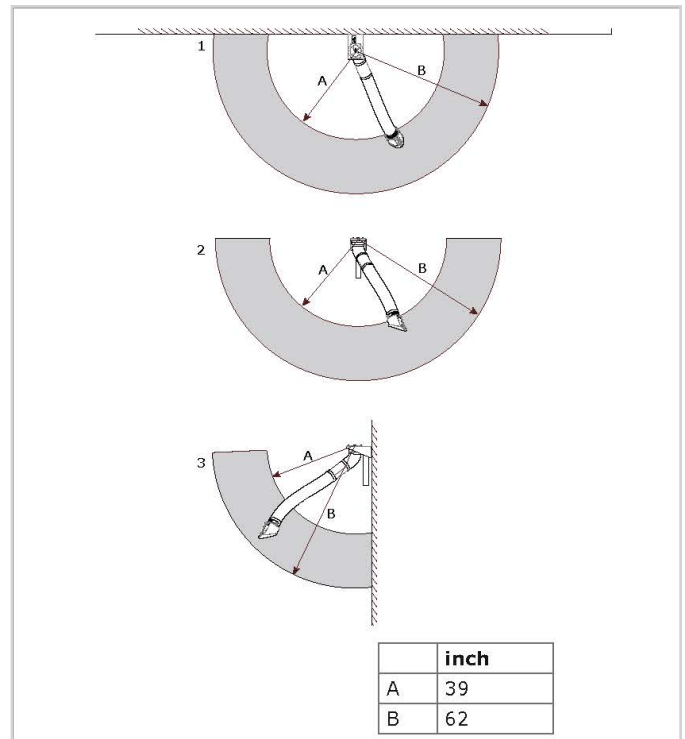
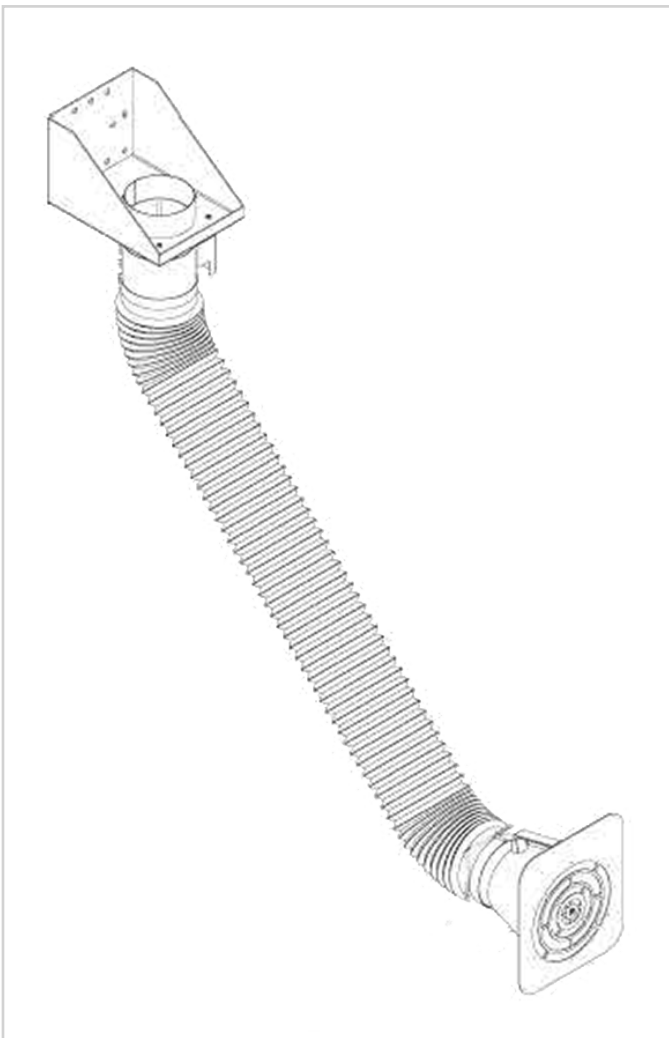
### 2.3 Attach swivel base to remote mount bracket



#### STEP 3. Attach capture arm to swivel base.

- Mount Swivel Base to Remote Mount Bracket.
- Tighten all Bolts (8) with Washers (8)
- Torque each bolt to 23 N m




Quantity	Hardware
1	Motor Blower Assembly
1	Swivel Base
8	1/4" Bolt, Socket Cap
8	1/4" Washer








1. Top view
2. Front view
3. Side view

## APPENDIX 3 - SAMPLE SAFETY STICKERS

The machine is marked with a wet filtration safety sticker to remind the operator of safe working practices:

WARNING	AVERTISSEMENT	ADVERTENCIA	WET FILTRATION
<b>DO NOT USE this equipment:</b>	<b>NE PAS UTILISER cet équipement :</b>	<b>NO USAR este equipo:</b>	
 <ul style="list-style-type: none"> <li>To collect smoke, fumes, liquid vapors, or aggressive fumes such as acids</li> </ul>	<ul style="list-style-type: none"> <li>Pour l'extraction de fumées ou d'émanations de plus de 82 °C / 180 °F.</li> </ul>	<ul style="list-style-type: none"> <li>Para extraer humo o gases superiores a 180°F / 82°C.</li> </ul>	
 <ul style="list-style-type: none"> <li>If the power cord has been damaged or ground (third prong) removed.</li> </ul>	<ul style="list-style-type: none"> <li>Si le cordon d'alimentation est endommagé ou si la mise à la terre (troisième broche) a été retirée.</li> </ul>	<ul style="list-style-type: none"> <li>Si el cable está dañado o se le ha quitado el tierra (tercera punta).</li> </ul>	
 <ul style="list-style-type: none"> <li>Without the proper water level in basin</li> </ul>	<ul style="list-style-type: none"> <li>Si le niveau d'eau dans le bassin n'est pas adéquat.</li> </ul>	<ul style="list-style-type: none"> <li>Sin el nivel de agua adecuado en el depósito.</li> </ul>	

The machine is marked with safety stickers in appropriate places to remind the operator of safe working practices.

STICKERS APPLIED TO MACHINE				
Figure 1	Figure 2	Figure 3	Figure 4	Figure 5
Foot Trap Hazard	Falling Objects Hazard	Moving Parts Hazard	Electric Shock Hazard	Loud Noise Hazard
 <p><b>CAUTION</b></p> <p>FOOT TRAP HAZARD PROPER FOOTWEAR REQUIRED</p>	 <p><b>CAUTION</b></p> <p>FALLING OBJECTS HAZARD DO NOT PLACE OBJECTS ON MACHINE</p>	 <p><b>CAUTION</b></p> <p>MOVING PARTS HAZARD DO NOT TOUCH - DISCONNECT POWER BEFORE OPENING</p>	 <p><b>CAUTION</b></p> <p>ELECTRIC SHOCK HAZARD SERVICE BY TRAINED PERSONNEL ONLY</p>	 <p><b>CAUTION</b></p> <p>LOUD NOISE HAZARD WEAR EAR PROTECTION DURING OPERATION</p>

# NOTES

---

---

---

---

---

---

---

---

---

---

---

---

---

---

---

---

---

---

---

---

---

---

---

---

---

# NOTES

---

---

---

---

---

---

---

---

---

---

---

---

---

---

---

---

---

---

---

---

---

---

---

# NOTES

---

---

---

---

---

---

---

---

---

---

---

---

---

---

---

---

---

---

---

---

---

---

---

---

---

## LIMITED EQUIPMENT WARRANTY

For a period of 2 years from the date of purchase, all Diversitech products are warranted to be free from defects in material, workmanship, and construction, when used in accordance with installation, maintenance instructions, and expressly stated proper use application(s). Diversitech Inc. will repair or replace, at our option, any defective parts which fail during the warranty period. This warranty is limited to replacement parts ONLY, and does not cover personal liability, property loss, normal wear; and does not cover losses resulting from (or due to) improper installation, inadequate maintenance, misapplication, misuse, or use above rated capacities.

## FREIGHT CLAIMS

Shipments must be inspected upon arrival. All Diversitech units are sold ex-plant. Therefore, it is the receiver's responsibility to file any freight claims with the carrier for obvious or concealed damages. Damaged shipments must be refused at time of receipt, by consignee.

## RETURN MATERIAL POLICY

Prior to the return of material, for whatever reason, a return manufacturing authorization number (RMA#) is required from the Diversitech customer service department. This procedure is necessary for proper control and handling of returned materials. Call 1-800-361-3733 or email [support@diversitech.ca](mailto:support@diversitech.ca) to obtain an RMA.

All material must be returned prepaid. Credit will be given for returns for warranty repair or replacement. Freight collect shipments, or freight without an RMA, will not be accepted. It is the shipper's responsibility to ensure that material being returned to Diversitech is adequately packaged for shipment to preclude damages.



Visit our Website for more  
information on this product  
[www.diversitech.ca](http://www.diversitech.ca)

1200 55<sup>th</sup> Avenue  
Montreal, Quebec H8T 3J8  
Email: [info@diversitech.ca](mailto:info@diversitech.ca)